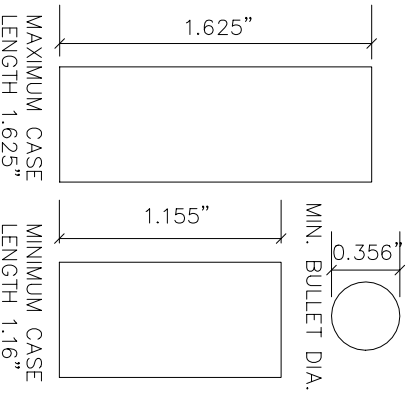
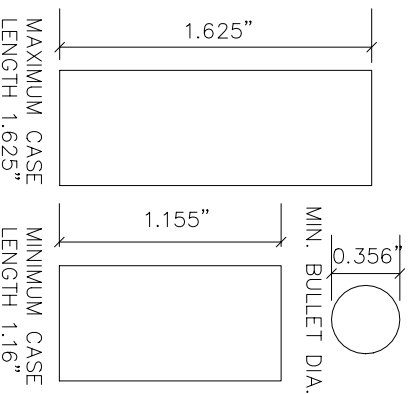


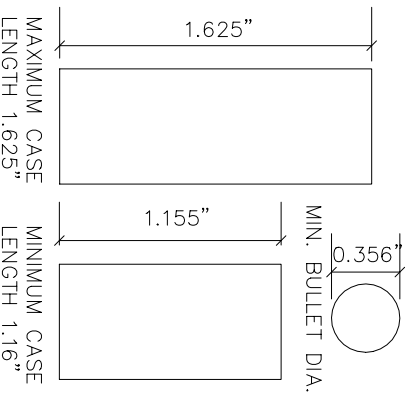
PISTOL CALIBER RIFLE
CARTRIDGE COMPLIANCE
CARD (GO/NO-GO GAUGE)
Tested Bullet and/or case must
NOT pass through Minimum Size
openings AND MUST pass through
maximum length opening.



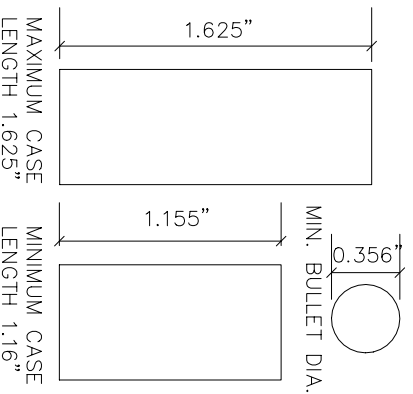
PISTOL CALIBER RIFLE
CARTRIDGE COMPLIANCE
CARD (GO/NO-GO GAUGE)
Tested Bullet and/or case must
NOT pass through Minimum Size
openings AND MUST pass through
maximum length opening.



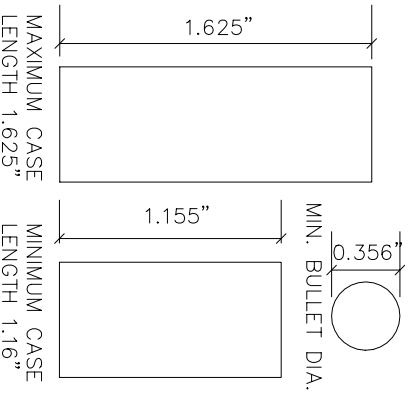
PISTOL CALIBER RIFLE
CARTRIDGE COMPLIANCE
CARD (GO/NO-GO GAUGE)
Tested Bullet and/or case must
NOT pass through Minimum Size
openings AND MUST pass through
maximum length opening.



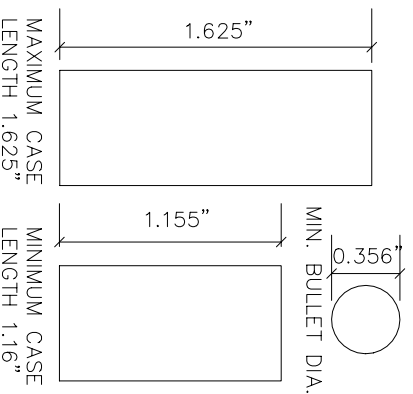
PISTOL CALIBER RIFLE
CARTRIDGE COMPLIANCE
CARD (GO/NO-GO GAUGE)
Tested Bullet and/or case must
NOT pass through Minimum Size
openings AND MUST pass through
maximum length opening.



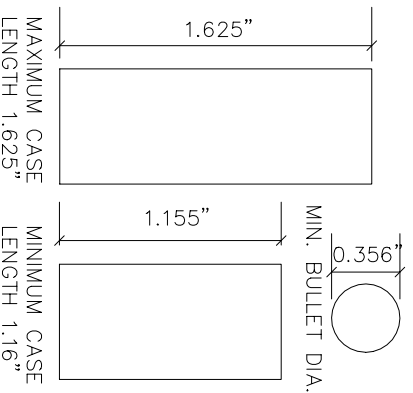
PISTOL CALIBER RIFLE
CARTRIDGE COMPLIANCE
CARD (GO/NO-GO GAUGE)
Tested Bullet and/or case must
NOT pass through Minimum Size
openings AND MUST pass through
maximum length opening.



PISTOL CALIBER RIFLE
CARTRIDGE COMPLIANCE
CARD (GO/NO-GO GAUGE)
Tested Bullet and/or case must
NOT pass through Minimum Size
openings AND MUST pass through
maximum length opening.



PISTOL CALIBER RIFLE
CARTRIDGE COMPLIANCE
CARD (GO/NO-GO GAUGE)
Tested Bullet and/or case must
NOT pass through Minimum Size
openings AND MUST pass through
maximum length opening.



PISTOL CALIBER RIFLE
CARTRIDGE COMPLIANCE
CARD (GO/NO-GO GAUGE)
Tested Bullet and/or case must
NOT pass through Minimum Size
openings AND MUST pass through
maximum length opening.

